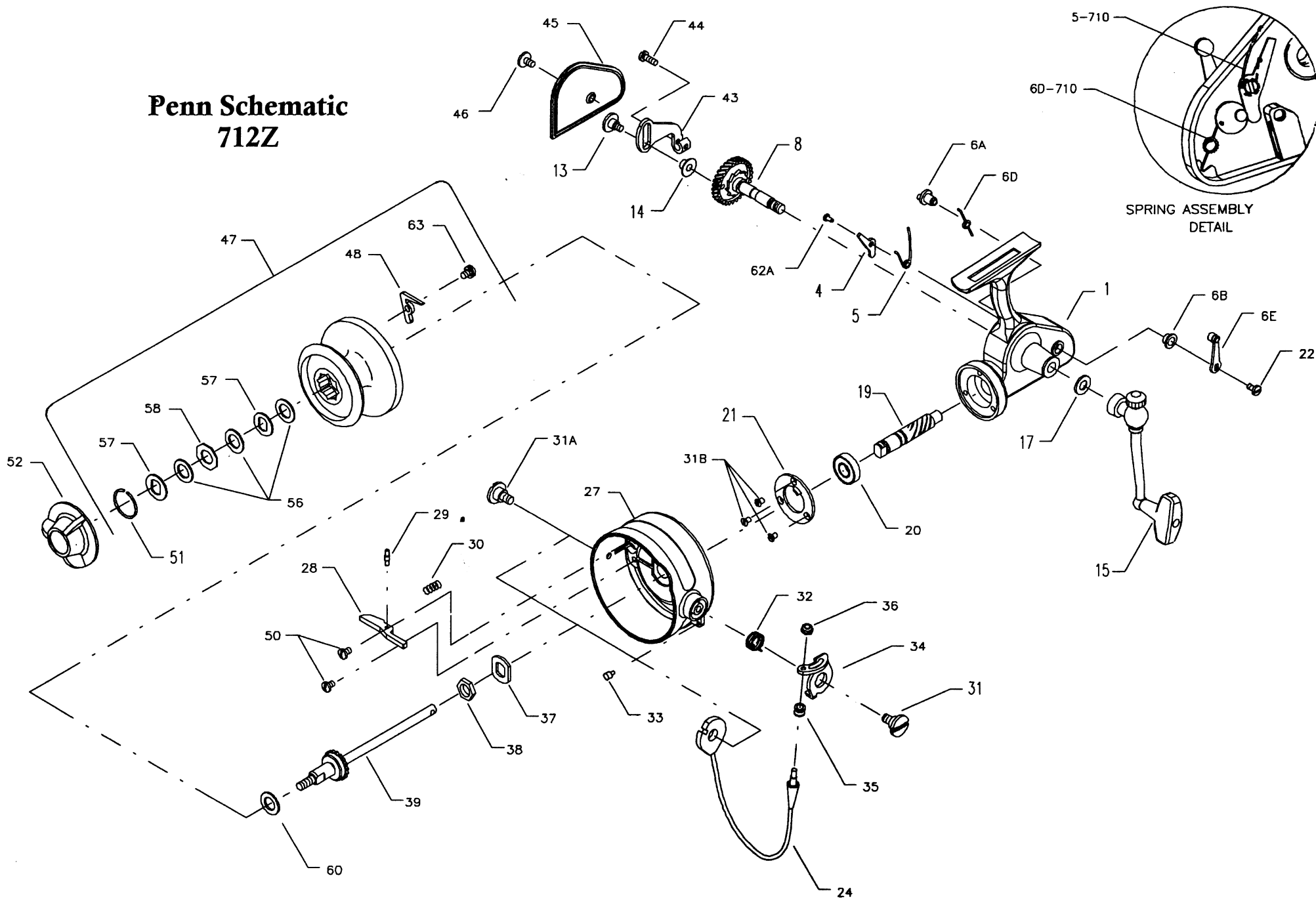


Penn Schematic 712Z



Penn Reel Parts list for:

Model: 712Z Spinfisher Series

KEY	PART	
NO	NO.	DESCRIPTION
1	1-710	HOUSING W/ BUSHING
4	4-710	DOG
5	5-710	DOG SPRING
6A	6A-710	ECCENTRIC
6B	6B-700Z	ECCENTRIC LINER
6D	6D-710	ECCENTRIC SPRING
6E	6E-710	ECCENTRIC LINER
8	8-712	MAIN GEAR W/ RATCHET
13	13-710	CROSSWIND SCREW
14	14-710	CROSSWIND ROLLER
15	15-710	HANDLE (COMPLETE)
17	17-710	HANDLE WASHER
19	19-712	PINION GEAR
20	20-704	PINION BEARING
21	21-712	BEARING RETAINER
22	22-109	ECCENTRIC SCREW
24	24-712	BAIL WIRE
27	27-712	ROTOR CUP
28	28-712	BAIL RELEASE ARM
29	29-712	BAIL RELEASE PIN
30	30-704	BAIL RELEASE SPRING
31	31-710	BAIL ARM SCREW
31A	31A-712	BAIL SCREW
31B	31-19	BEARING COVER SCREW (3 REQ.)

KEY	PART	
NO	NO.	DESCRIPTION
32	32-710	BAIL SPRING
33	33R-712	BAIL ARM BUMPER
34	34-712	BAIL ARM
35	35-720	LINE ROLLER
36	36-700	BAIL LOCK NUT
37	37-710	ROTOR CUP WASHER
38	38-710	ROTOR CUP NUT
39	39-712	SPOOL SHAFT
43	43-710	CROSSWIND ARM
44	44-710	CROSSWIND SCREW
45	45-712	HOUSING PLATE
46	46-710	HOUSING PLATE SCREW
47	47-712	SPOOL (COMPLETE)
48	48-720	CLICK TOUNGE
50	50-712	RELEASE ARM SCREW (2 REQ.)
51	51-710	RETAINING SPRING
52	52-710	DRAG KNOB
56	56-710	DRAG WASHER-HT 100 (3 REQ.)
57	57-720	METAL KEYED WASHER (2 REQ.)
58	58-720	METAL WASHER (OCTAGON)
60	60-712	REAR DRAG WASHER (TEFLON)
62A	62A-716	DOG SCREW
63	63-349	CLICK SCREW

NOTE: Many of www.pennparts.com schematics include changes that were either made by Penn, or errors found and corrected by our parts dept.